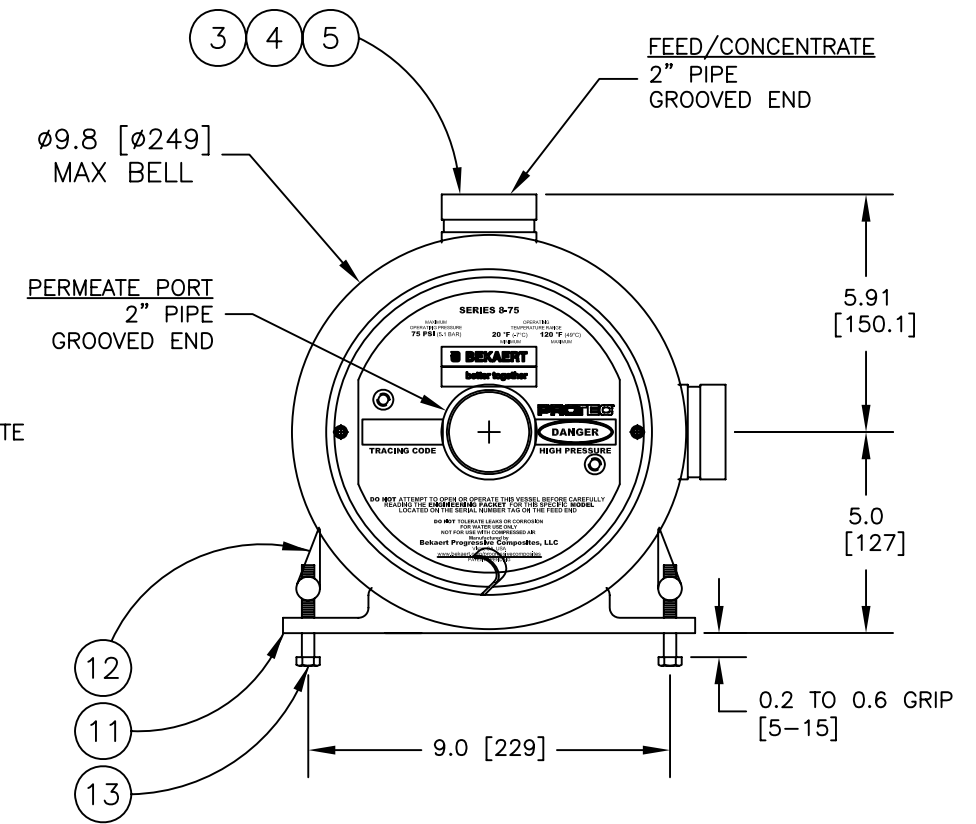
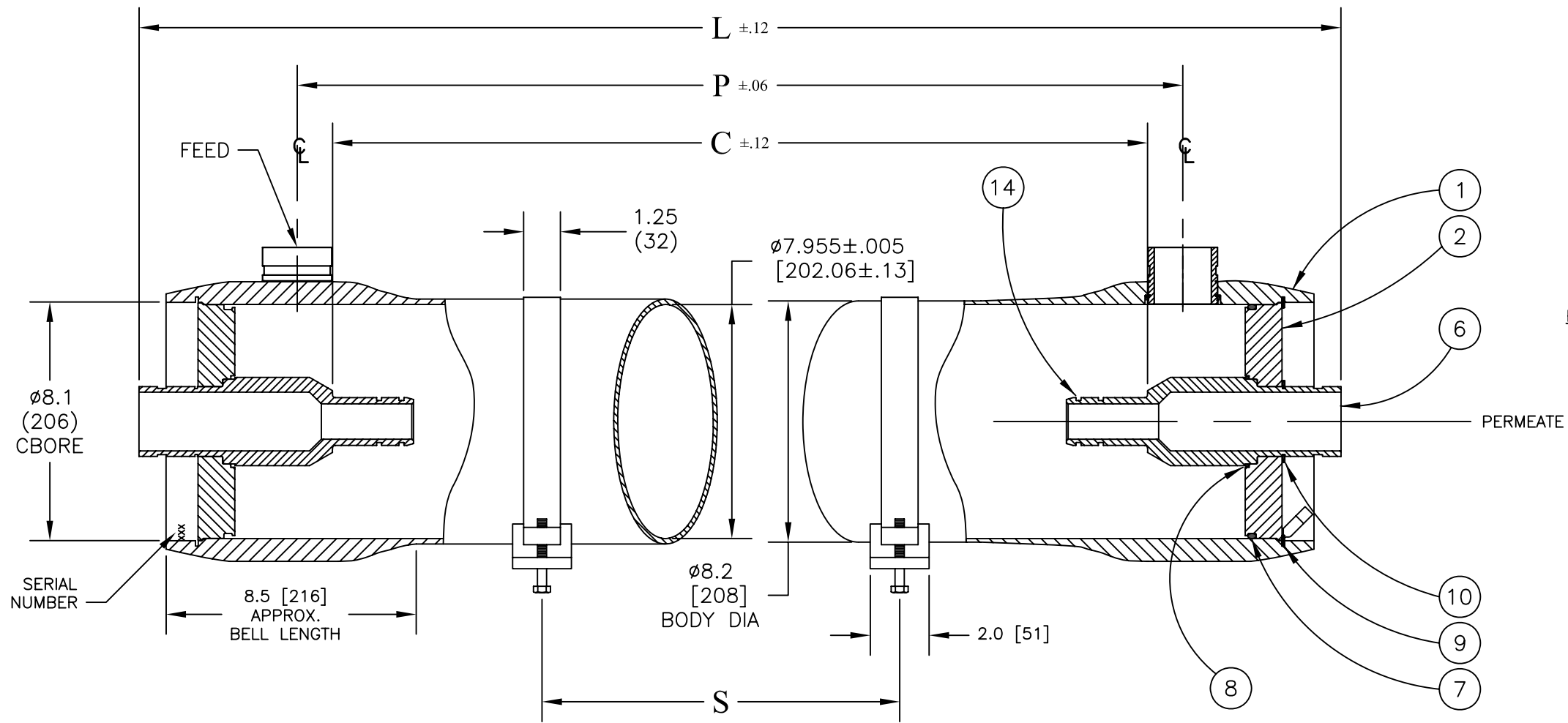


Design Pressure = 75 PSI @ 120 °F
 Min. Design Temperature = 20 °F @ 75 PSI
 Hydrotest Pressure = 82.5 PSI

75 PSI
SIDE PORT



NOTE: STANDARD PARTS ARE SHOWN FOR REFERENCE ONLY
 CHECK ORIGINAL ORDER FOR ORDERING SPARE PARTS

| ITEM | QTY | P/N | DESCRIPTION | MATERIAL |
|------|-----|-----------|-----------------------------------|------------------------------|
| 1 | 1 | 4080025 | Shell | Filament Wound, Epoxy FRP |
| 2 | 2 | 4080105-1 | Bearing/Sealing Plate | PVC Thermoplastic |
| 3 | 4 | 4080140-2 | Feed/Concentrate Port, 2", "E" | Stainless Steel, 316, SA-312 |
| 4 | 8 | 6122231 | Retaining Ring, F/C Port, 2", "E" | Stainless Steel, 302, SA-479 |
| 5 | 4 | 6185704-N | O-Ring Seal, F/C Port, 2", "E" | Ethylene Propylene |
| 6 | 2 | 4080121-1 | Permeate Port | PVC Thermoplastic |
| 7 | 2 | 6180367 | Head Seal | Ethylene Propylene |
| 8 | 2 | 6110233-N | Permeate Port Seal | Ethylene Propylene |
| 9 | 2 | 4080080 | Retaining Ring w/ Finger Pull | Stainless Steel, 302 |
| 10 | 2 | 6120237 | Retaining Ring, Permeate Port | Stainless Steel, 302 |
| 11 | 2* | 4080147 | Support Saddle | Polyurethane |
| 12 | 2* | 4080137 | Strap Assembly | Stainless Steel, 316 |
| 13 | 4 | 6150001 | Strap Screw | Stainless Steel, 18-8 |
| 14 | 4 | 6183504-N | PWT Seal | Ethylene Propylene |

NOTES:

- DIMENSIONS IN INCHES (MM APPROX.)
- FOR REFERENCE ONLY, NOT FOR CONSTRUCTION UNLESS CERTIFIED
- SHIMMING OF THE SADDLES MAY BE REQUIRED
- CENTER VESSEL ON 2 OR 3 SUPPORTS AT SPAN(S) "S".
- INCORRECT MANIFOLDING WILL CAUSE SEVERE LOCAL STRESS AROUND PORT AND MAY RESULT IN LEAKS AND PREMATURE FAILURE. TAKE EVERY PRECAUTION LISTED IN THE ENGINEERING PACKET OR USERS MANUAL.
- INTERNAL PERMEATE PRESSURE MUST NOT EXCEED 125 PSI.
- SPECIFICATIONS SUBJECT TO CHANGE WITHOUT NOTICE

PROTEC™
 BEKAERT PROGRESSIVE COMPOSITES, LLC

Vista, California, U.S.A.

PRO 8N-75-SP

| |
|------------------------|
| ENGR EB 06/08/07 |
| QLTY |
| MRKT |

| | | | |
|--------------|--------------------|-------------------|----------|
| ECO 09279 | REVISED 10/2/09 | DRAWING 101016 | REV H |
|--------------|--------------------|-------------------|----------|

| Shell Length Code | L inch (mm) | P inch (mm) | C Column in (mm) | S Span in (mm) | Empty Weight lb [kg] |
|--------------------------|-----------------|-----------------|---------------------|-------------------|-------------------------|
| 1M | 73.5 [1866.90] | 63.6 [1615.44] | 60.4 [1534.16] | 1 @ 42 [1066.80] | 44 [20] |
| 2M | 134.7 [3421.38] | 125.0 [3175.00] | 121.5 [3086.10] | 1 @ 80 [2032.00] | 60 [27] |
| 3M | 194.7 [4945.38] | 185.0 [4699.00] | 181.5 [4610.10] | 2 @ 71 [1803.40] | 76 [35] |
| 4M | 255.7 [6494.78] | 245.0 [6223.00] | 242.6 [6162.04] | 2 @ 92 [2336.80] | 92 [42] |
| Design Pressure | | | | | |
| 75 psi at 85 °F (29 °C) | | | | | |
| 70 psi at 95 °F (35 °C) | | | | | |
| 60 psi at 100 °F (38 °C) | | | | | |
| 50 psi at 105 °F (41 °C) | | | | | |
| 35 psi at 120 °F (49 °C) | | | | | |

*3 each with shell length 3M and longer