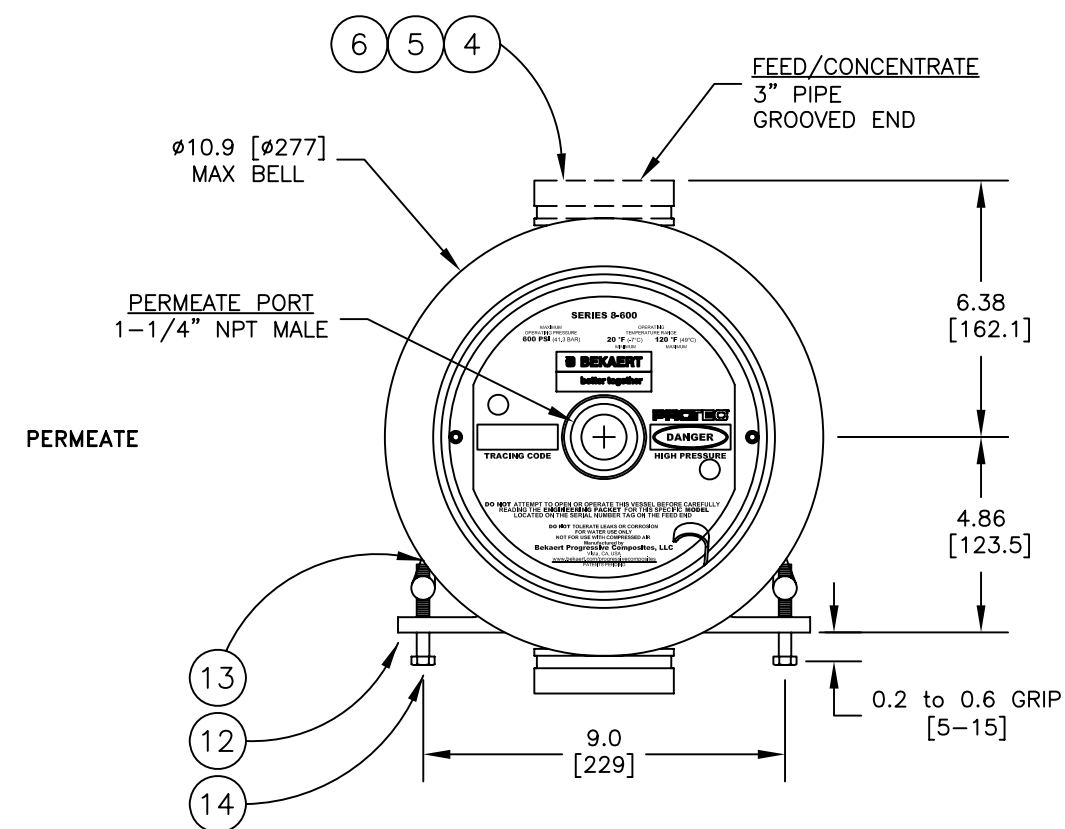


Design Pressure = 600 PSI @ 120 °F
 Min. Design Temperature = 20 °F @ 600 PSI
 Hydrotest Pressure = 660 PSI

600 PSI
 MEGA
 SIDE PORT



NOTE: STANDARD PARTS ARE SHOWN FOR REFERENCE ONLY
 CHECK ORIGINAL ORDER FOR ORDERING SPARE PARTS

ITEM	QTY	P/N	DESCRIPTION	MATERIAL
1	1	4080238	Shell	Filament Wound, Epoxy FRP
2	2	4080032	Bearing Plate	6061-T6 Aluminum, SB-221, Anodized
3	2	4080177-2	Sealing Plate	Thermoplastic
4	2	4080472-1	Feed/Concentrate Port, 3", "K"	Stainless Steel, 316, SA-312
5	6	6121343	Retaining Ring, F/C Port, 3", "K"	Stainless Steel, 316, SA-479
6	2	6180340-N	O-Ring Seal, F/C Port, 3", "K"	Ethylene Propylene
7	2	4080309	Permeate Port	Noryl GFN2
8	2	6100442MK	Head Seal	Ethylene Propylene
9	2	6110229-N	Permeate Port Seal	Ethylene Propylene
10	2	4080320	Retaining Ring w/ Finger Pull	Stainless Steel, 316
11	2	6121200	Retaining Ring, Permeate Port	Stainless Steel, 316
12	2*	4080174	Support Saddle	Thermoplastic Rubber
13	2	4080137	Strap Assembly	Stainless Steel, 316
14	4	6150001	Strap Screw	Stainless Steel, 18-8
15	2	A/R	Adapter	Thermoplastic
16	1	4080165-1	Thrust Cone	PVC Thermoplastic
17	2	6110326-N	Adapter Seal	Ethylene Propylene
18	A/R	A/R	PWT Seal	Ethylene Propylene

*3 each with shell lengths -4 and longer.

NOTES:

- DIMENSIONS IN INCHES (MM APPROX.)
- FOR REFERENCE ONLY, NOT FOR CONSTRUCTION UNLESS CERTIFIED
- SHIMMING OF THE SADDLES MAY BE REQUIRED
- CENTER VESSEL ON 2 OR 3 SUPPORTS AT SPAN(S) "S".
- INCORRECT MANIFOLDING WILL CAUSE SEVERE LOCAL STRESS AROUND PORT AND MAY RESULT IN LEAKS AND PREMATURE FAILURE. TAKE EVERY PRECAUTION LISTED IN THE ENGINEERING PACKET OR USERS MANUAL.
- INTERNAL PERMEATE PRESSURE MUST NOT EXCEED 125 PSI.
- ASME SECTION X, 2007-A09
RP CODE STAMP OPTIONAL
- SPECIFICATIONS SUBJECT TO CHANGE WITHOUT NOTICE

PROTEC
 BEKAERT PROGRESSIVE COMPOSITES, LLC
 Vista, California, U.S.A.

PRO 8-600-MSP

ENGR EB 06/08/07				
QLTY				
MRKT	ECO 09279	REVISED 10/2/09	DRAWING 101024	REV M

Shell Length Code	L inch (mm)	P3 Standard inch (mm)	S Span in (mm)	Empty Weight lb (kg)
-1	59 [1498.60]	46 [1168.40]	1 @ 28 [711.20]	92 [42]
-1.5	79 [2006.60]	66 [1676.40]	1 @ 42 [1066.80]	108 [49]
-2	99 [2514.60]	86 [2184.40]	1 @ 56 [1422.40]	123 [56]
-3	139 [3530.60]	126 [3200.40]	1 @ 80 [2032.00]	155 [70]
-4	179 [4546.60]	166 [4216.40]	2 @ 64 [1625.60]	186 [84]
-5	219 [5562.60]	206 [5232.40]	2 @ 78 [1981.20]	217 [99]
-6	259 [6578.60]	246 [6248.40]	2 @ 92 [2336.80]	248 [113]
-7	299 [7594.60]	286 [7264.40]	2 @ 106 [2692.40]	279 [127]
-7.5	319 [8102.60]	306 [7772.40]	2 @ 114 [2895.60]	295 [134]
-8	339 [8610.60]	326 [8280.40]	2 @ 120 [3048.00]	310 [141]