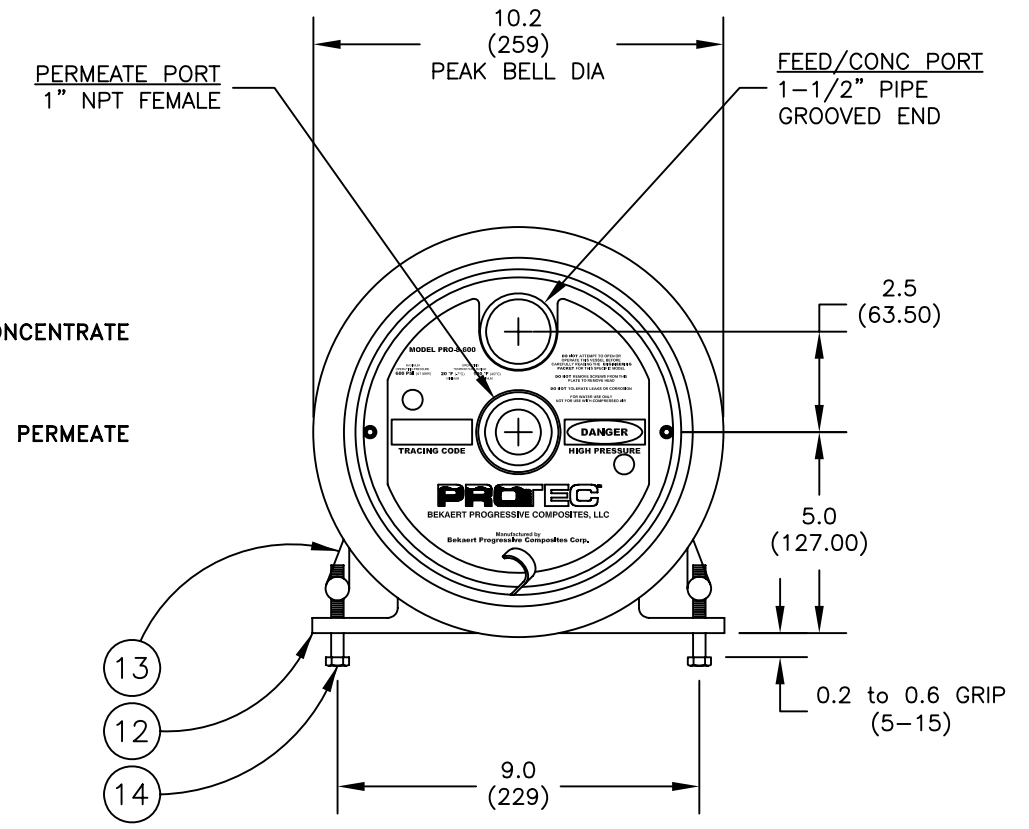
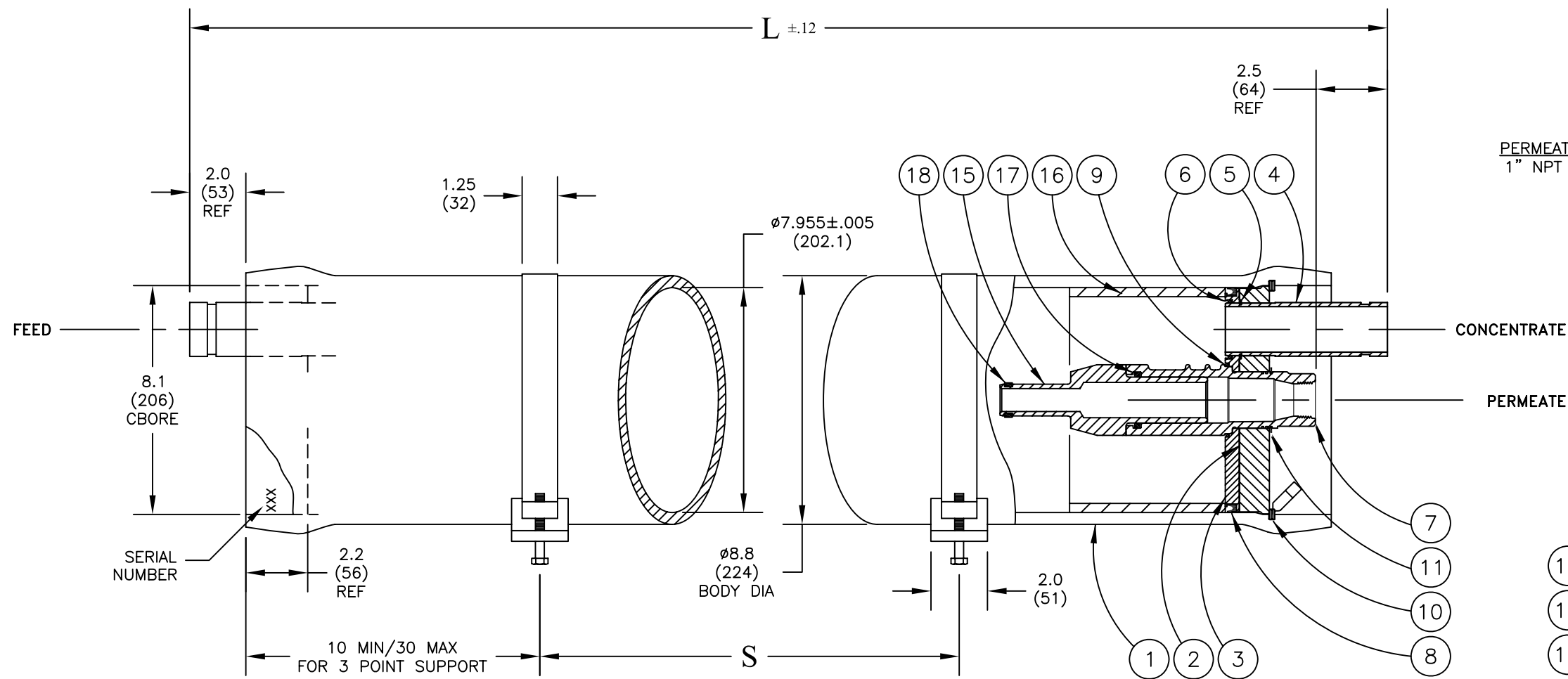


Design Pressure = 600 PSI @ 120 °F
 Min. Design Temperature = 20 °F @ 600 PSI
 Hydrotest Pressure = 660 PSI

600 PSI
 END PORT



NOTE: STANDARD PARTS ARE SHOWN FOR REFERENCE ONLY
 CHECK ORIGINAL ORDER FOR ORDERING SPARE PARTS

| ITEM | QTY | P/N | DESCRIPTION | MATERIAL |
|------|-----|-----------|-------------------------------|------------------------------------|
| 1 | 1 | 4080004 | Shell | Filament Wound, Epoxy FRP |
| 2 | 2 | 4080031 | Bearing Plate | 6061-T6 Aluminum, SB-221, Anodized |
| 3 | 2 | 4080065-1 | Sealing Plate | PVC Thermoplastic |
| 4 | 2 | 4080011-1 | Feed/Concentrate Port | Stainless Steel, 316, SA-312 |
| 5 | 2 | 6121187 | Retaining Ring, F/C Port | Stainless Steel, 316 |
| 6 | 2 | 6184604-N | O-Ring Seal, F/C Port | Ethylene Propylene |
| 7 | 2 | 4080289 | Permeate Port | Noryl GFN2 |
| 8 | 2 | 6100442MK | Head Seal | Ethylene Propylene |
| 9 | 2 | 6110229-N | Permeate Port Seal | Ethylene Propylene |
| 10 | 2 | 4080320 | Retaining Ring w/ Finger Pull | Stainless Steel, 316 |
| 11 | 2 | 6121200 | Retaining Ring, Permeate Port | Stainless Steel, 316 |
| 12 | 2* | 4080174 | Support Saddle | TPR |
| 13 | 2 | 4080137 | Strap Assembly | Stainless Steel, 316 |
| 14 | 4 | 6150001 | Strap Screw | Stainless Steel, 316 |
| 15 | 2 | A/R | Adapter | PVC Thermoplastic |
| 16 | 1 | 4080043 | Thrust Ring | PVC Thermoplastic |
| 17 | 2 | 6110326-N | Adapter Seal | Ethylene Propylene |
| 18 | A/R | A/R | PWT Seal | Ethylene Propylene |

*3 each with shell length -7 and longer

NOTES:

- DIMENSIONS IN INCHES (MM APPROX.)
- FOR REFERENCE ONLY, NOT FOR CONSTRUCTION UNLESS CERTIFIED
- SHIMMING OF THE SADDLES MAY BE REQUIRED
- CENTER VESSEL ON 2 OR 3 SUPPORTS AT SPAN(S) "S".
- USER MUST PROVIDE PRESSURE RELIEF AT FEED END. TAKE EVERY PRECAUTION LISTED IN THE ENGINEERING PACKET OR USERS MANUAL.
- INTERNAL PERMEATE PRESSURE MUST NOT EXCEED 125 PSI.
- ASME SECTION X, 2007-A09
 RP CODE STAMP OPTIONAL
- SPECIFICATIONS SUBJECT TO CHANGE WITHOUT NOTICE

PROTEC™
 BEKAERT PROGRESSIVE COMPOSITES, LLC

Vista, California, U.S.A.

PRO 8-600-EP

| | |
|------|----------|
| ENGR | IR |
| | 11/17/06 |
| QLTY | |
| MRKT | |

| | | | |
|-------|---------|---------|-----|
| ECO | REVISED | DRAWING | REV |
| 09279 | 10/2/09 | 101010 | H |

| Shell Length Code | L inch (mm) | S Span in (mm) | Empty Weight lb (kg) |
|-------------------|-------------------|----------------------|----------------------------|
| -1 | 63 (1600.20) | 34 (863.60) | 76 (35) |
| -1.5 | 83 (2108.20) | 45 (1143.00) | 92 (42) |
| -2 | 103 (2616.20) | 56 (1422.40) | 107 (49) |
| -3 | 143 (3632.20) | 80 (2032.00) | 139 (63) |
| -4 | 183 (4648.20) | 104 (2641.60) | 170 (77) |
| -5 | 223 (5664.20) | 128 (3251.20) | 201 (91) |
| -6 | 263 (6680.20) | 150 (3810.00) | 232 (105) |
| -7 | 303 (7696.20) | 3 PTS. | 263 (120) |
| -7.5 | 323 (8204.20) | 3 PTS. | 279 (127) |
| -8 | 343 (8712.20) | 3 PTS. | 294 (134) |