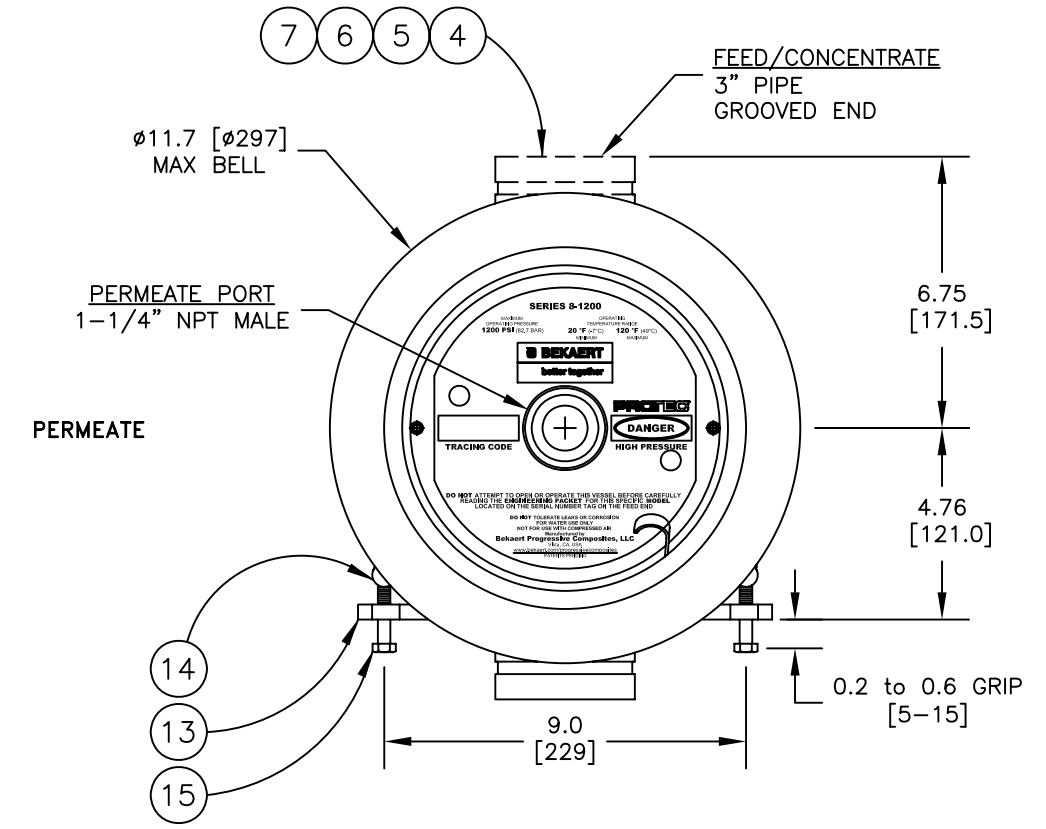
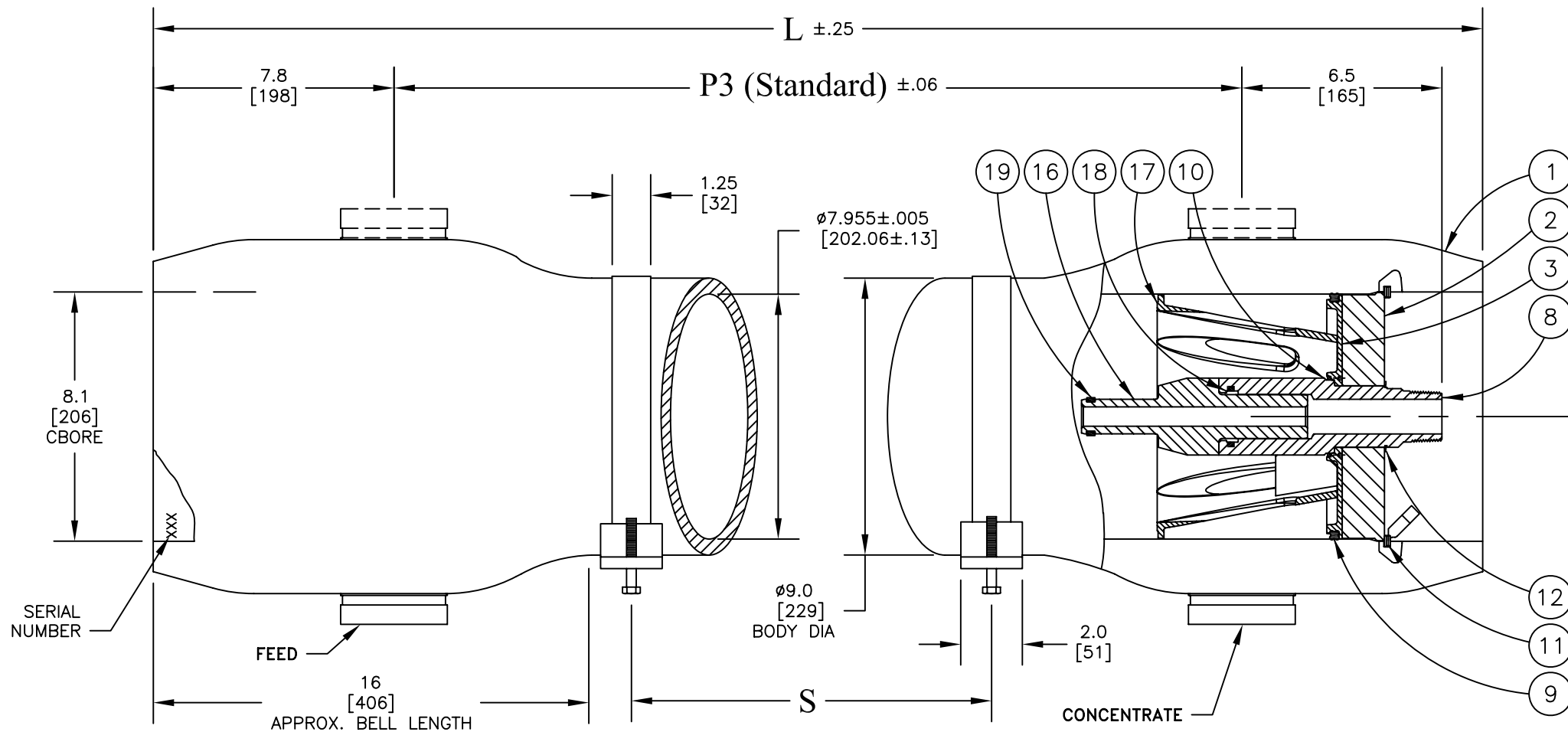


Design Pressure = 1200 PSI @ 120 °F  
 Min. Design Temperature = 20 °F @ 1200 PSI  
 Hydrotest Pressure = 1320 PSI

**1200 PSI**  
**MEGA**  
**SIDE PORT**



NOTE: STANDARD PARTS ARE SHOWN FOR REFERENCE ONLY  
 CHECK ORIGINAL ORDER FOR ORDERING SPARE PARTS

| Shell Length Code | L<br>inch<br>(mm)  | P3<br>Standard<br>inch<br>(mm) | S<br>Span<br>in (mm) | Empty Weight<br>lb<br>(kg) |
|-------------------|--------------------|--------------------------------|----------------------|----------------------------|
| -1                | 61.6<br>[1564.64]  | 46<br>[1168.40]                | 1 @ 28<br>[711.20]   | 167<br>[76]                |
| -1.5              | 81.6<br>[2072.64]  | 66<br>[1676.40]                | 1 @ 42<br>[1066.80]  | 194<br>[88]                |
| -2                | 101.6<br>[2580.64] | 86<br>[2184.40]                | 1 @ 56<br>[1422.40]  | 220<br>[100]               |
| -3                | 141.6<br>[3596.64] | 126<br>[3200.40]               | 1 @ 80<br>[2032.00]  | 273<br>[124]               |
| -4                | 181.6<br>[4612.64] | 166<br>[4216.40]               | 2 @ 64<br>[1625.60]  | 327<br>[148]               |
| -5                | 221.6<br>[5628.64] | 206<br>[5232.40]               | 2 @ 78<br>[1981.20]  | 380<br>[172]               |
| -6                | 261.6<br>[6644.64] | 246<br>[6248.40]               | 2 @ 92<br>[2336.80]  | 433<br>[196]               |
| -7                | 301.6<br>[7660.64] | 286<br>[7264.40]               | 2 @ 106<br>[2692.40] | 487<br>[221]               |
| -7.5              | 321.6<br>[8168.64] | 306<br>[7772.40]               | 2 @ 114<br>[2895.60] | 513<br>[233]               |
| -8                | 341.6<br>[8676.64] | 326<br>[8280.40]               | 2 @ 120<br>[3048.00] | 540<br>[245]               |

| ITEM | QTY | P/N       | DESCRIPTION                       | MATERIAL                           |
|------|-----|-----------|-----------------------------------|------------------------------------|
| 1    | 1   | 4080239   | Shell                             | Filament Wound, Epoxy FRP          |
| 2    | 2   | 4080034   | Bearing Plate                     | 6061-T6 Aluminum, SB-221, Anodized |
| 3    | 2   | 4080177-2 | Sealing Plate                     | Thermoplastic                      |
| 4    | 2   | 4080214   | Feed/Concentrate Port, 3", "K"    | SST Super Duplex, SA-790           |
| 5    | 2   | 6121373   | Retaining Ring, F/C Port, 3", "K" | Stainless Steel, 316, SA-479       |
| 6    | 2   | 6180340-N | O-Ring Seal, F/C Port, 3", "K"    | Ethylene Propylene                 |
| 7    | 2   | 6121343   | Retaining Ring, F/C Port, 3", "K" | Stainless Steel, 316               |
| 8    | 2   | 4080308   | Permeate Port                     | Noryl GFN2                         |
| 9    | 2   | 6100442MK | Head Seal                         | Ethylene Propylene                 |
| 10   | 2   | 6110229-N | Permeate Port Seal                | Ethylene Propylene                 |
| 11   | 2   | 4080320   | Retaining Ring w/ Finger Pull     | Stainless Steel, 316               |
| 12   | 2   | 6121200   | Retaining Ring, Permeate Port     | Stainless Steel, 316               |
| 13   | 2*  | 4080175   | Support Saddle                    | Thermoplastic Rubber               |
| 14   | 2   | 4080137   | Strap Assembly                    | Stainless Steel, 316               |
| 15   | 4   | 6150001   | Strap Screw                       | Stainless Steel, 18-8              |
| 16   | 2   | A/R       | Adapter                           | Thermoplastic                      |
| 17   | 1   | 4080165-1 | Thrust Cone                       | PVC Thermoplastic                  |
| 18   | 2   | 6110326-N | Adapter Seal                      | Ethylene Propylene                 |
| 19   | A/R | A/R       | PWT Seal                          | Ethylene Propylene                 |

\*3 each with shell length -4 and longer

**NOTES:**

- DIMENSIONS IN INCHES (MM APPROX.)
- FOR REFERENCE ONLY, NOT FOR CONSTRUCTION UNLESS CERTIFIED
- SHIMMING OF THE SADDLES MAY BE REQUIRED
- CENTER VESSEL ON 2 OR 3 SUPPORTS AT SPAN(S) "S".
- INCORRECT MANIFOLDING WILL CAUSE SEVERE LOCAL STRESS AROUND PORT AND MAY RESULT IN LEAKS AND PREMATURE FAILURE. TAKE EVERY PRECAUTION LISTED IN THE ENGINEERING PACKET OR USERS MANUAL.
- INTERNAL PERMEATE PRESSURE MUST NOT EXCEED 125 PSI.
- ASME SECTION X, 2007-A09  
RP CODE STAMP OPTIONAL
- SPECIFICATIONS SUBJECT TO CHANGE WITHOUT NOTICE

**PROTEC**  
 BEKAERT PROGRESSIVE COMPOSITES, LLC

Vista, California, U.S.A.

ENGR  
 EB  
 06/08/07  
 QLTY  
 MRKT

**PRO 8-1200-MSP**

|              |                    |                   |          |
|--------------|--------------------|-------------------|----------|
| ECO<br>09279 | REVISED<br>10/2/09 | DRAWING<br>101025 | REV<br>K |
|--------------|--------------------|-------------------|----------|