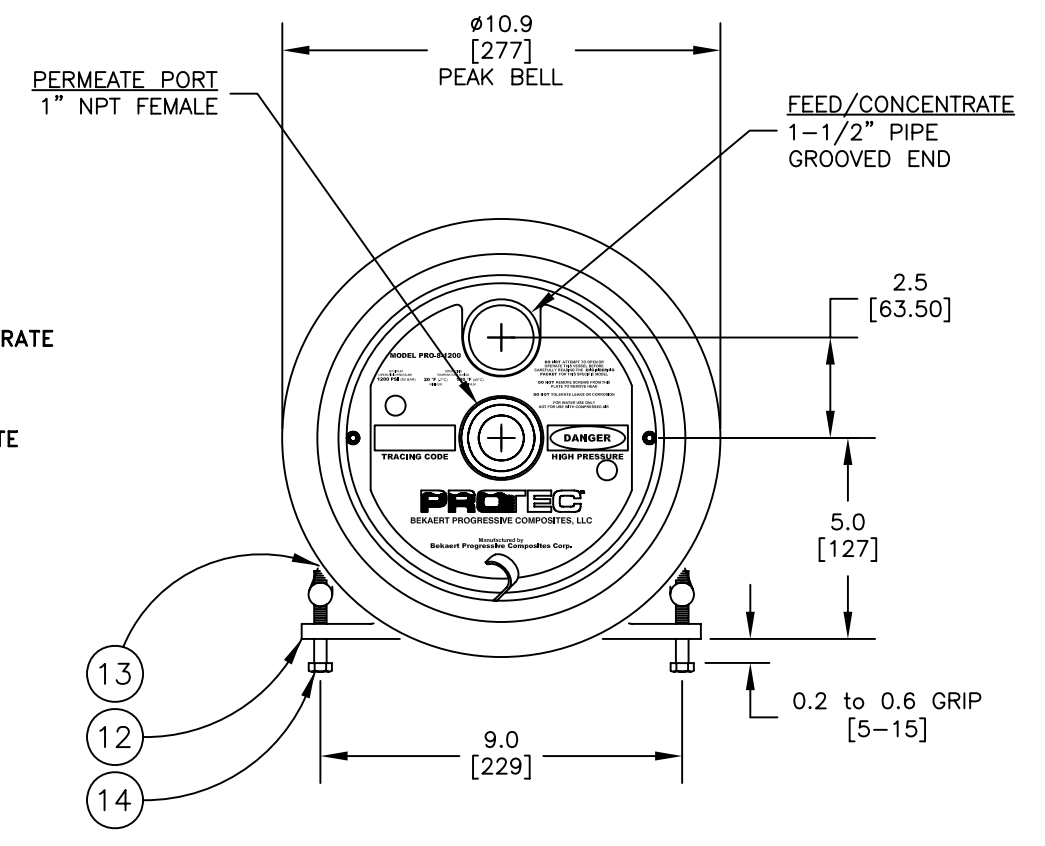


Design Pressure = 1200 PSI @ 120 °F  
 Min. Design Temperature = 20 °F @ 1200 PSI  
 Hydrotest Pressure = 1320 PSI

**1200 PSI**  
 END PORT



NOTE: STANDARD PARTS ARE SHOWN FOR REFERENCE ONLY  
 CHECK ORIGINAL ORDER FOR ORDERING SPARE PARTS

Shell Length Code	L inch (mm)	S Span in (mm)	Empty Weight lb (kg)
-1	65 [1651.00]	34 [863.60]	135 [61]
-1.5	85 [2159.00]	45 [1143.00]	164 [75]
-2	105 [2667.00]	56 [1422.40]	192 [87]
-3	145 [3683.00]	80 [2032.00]	249 [113]
-4	185 [4699.00]	104 [2641.60]	306 [139]
-5	225 [5715.00]	128 [3251.20]	363 [165]
-6	265 [6731.00]	150 [3810.00]	420 [191]
-7	305 [7747.00]	3 PTS.	477 [217]
-7.5	325 [8255.00]	3 PTS.	506 [230]
-8	345 [8763.00]	3 PTS.	534 [243]

ITEM	QTY	P/N	DESCRIPTION	MATERIAL
1	1	4080006	Shell	Filament Wound, Epoxy FRP
2	2	4080033	Bearing Plate	6061-T6 Aluminum, SB-221, Anodized
3	2	4080065-1	Sealing Plate	PVC Thermoplastic
4	2	4080231	Feed/Concentrate Port	SST Super Duplex, SA-790
5	2	6121187	Retaining Ring, F/C Port	Stainless Steel, 316
6	2	6184604-N	O-Ring Seal, F/C Port	Ethylene Propylene
7	2	4080378	Permeate Port	Noryl GFN2
8	2	6100442MK	Head Seal	Ethylene Propylene
9	2	6110229-N	Permeate Port Seal	Ethylene Propylene
10	2	4080320	Retaining Ring w/ Finger Pull	Stainless Steel, 316
11	2	6121200	Retaining Ring, Permeate Port	Stainless Steel, 316
12	2*	4080175	Support Saddle	TPR
13	2	4080137	Strap Assembly	Stainless Steel, 316
14	4	6150001	Strap Screw	Stainless Steel, 316
15	2	A/R	Adapter	Thermoplastic
16	1	4080043	Thrust Ring	PVC Thermoplastic
17	2	6110326-N	Adapter Seal	Ethylene Propylene
18	A/R	A/R	PWT Seal	Ethylene Propylene

\*3 each with shell length -7 and longer

**NOTES:**  
 DIMENSIONS IN INCHES (MM APPROX.)  
 FOR REFERENCE ONLY, NOT FOR CONSTRUCTION UNLESS CERTIFIED  
 SHIMMING OF THE SADDLES MAY BE REQUIRED  
 CENTER VESSEL ON 2 OR 3 SUPPORTS AT SPAN(S) "S".  
 USER MUST PROVIDE PRESSURE RELIEF AT FEED END.  
 TAKE EVERY PRECAUTION LISTED IN THE ENGINEERING PACKET OR USERS MANUAL.  
 INTERNAL PERMEATE PRESSURE MUST NOT EXCEED 125 PSI.  
 ASME SECTION X, 2007-A09  
 RP CODE STAMP OPTIONAL  
 SPECIFICATIONS SUBJECT TO CHANGE WITHOUT NOTICE



**PRO 8-1200-EP**

ENGR IR 11/17/06				
QLTY				
MRKT	ECO 09279	REVISED 10/2/09	DRAWING 101012	REV H